

Materials and Finish

Housing Material-
PBT
UL 94V-0 Rated
Color: Black

Contact Material-
Phosphor Bronze

Plating Options-
Standard: 0.0001" Nickel
Plating, Selective Plating
Gold Flash on Contact
Area, Tin on
Termination End

50: 0.0001" Nickel Plating,
Selective Plating 0.000050"
Gold on Contact Area to
Comply with FCC Requirements
Under No. 47 C.F.R. Part 68,
Subpart F, Tin on
Termination End

Electrical Characteristics

Current Rating-
1.5 Amps

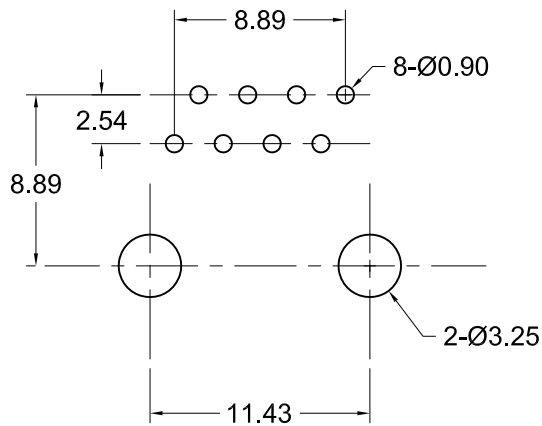
Voltage Rating-
125V DC

Insulation Resistance-
500 Megohms Min.

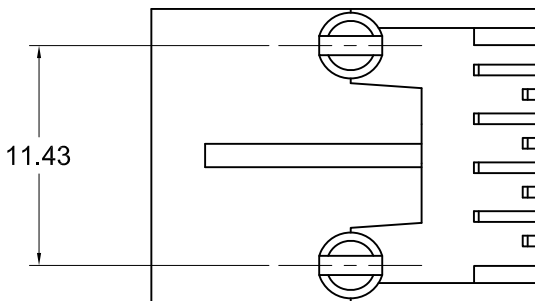
Dielectric Withstanding Voltage-
1000V rms, 60Hz

Contact Resistance-
20 milliohms Max.

Operating Temperature-
-40°C to +85°C



Recommended PC Board Layout
(Top View)



Part Number	Contact Area Plating Finish
GDX-N-88	Gold Flash (standard)
GDX-N-88-50	50u" Gold (50 option)



Tolerances
X.X ± 0.25
X.XX ± 0.15
Unless Stated Otherwise

REV.	DATE	DESCRIPTION	REV. BY	CHK. BY	DRAWN BY	DATE
A1	06/29/05	New Drawing	R. Aguirre	H. MA	R. Aguirre	06/28/05
A2	05/13/10	ECO #10-025	S. Vien	H. MA		
A3	07/25/11	ECO #11-048	S. Vien	H. MA		
A4	05/14/15	ECO #15-001	H. MA	C. Furumasu		
						UNITS
						mm

GDX-N-88

Right Angle, Thru-Hole PCB Mount Modular Jack,

8 Position, 8 Contacts, RoHS Compliant

