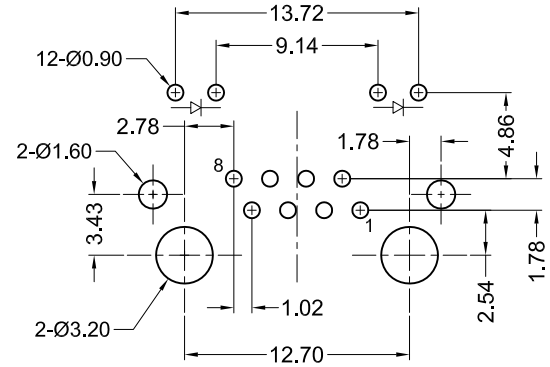
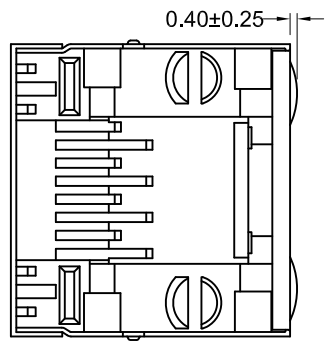


Panel Cutout



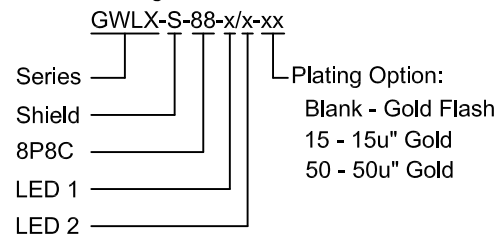
Recommended PCB Layout (Top View)

NOTE:
 Kycon connectors containing LEDs must NOT be processed using Lead-Free Infra-Red reflow soldering using JEDEC-020C (or similar) profiles. Kycon suggests to process these components using Lead-Free WAVE soldering or Post Lead-Free IR reflow insertion methods only.

Electrical Performance

Category 5 100MHz Bandwidth Performance
 Performance meets near end crosstalk (NEXT)
 Requirements of -40dB @ 100MHz per EIA/TIA 568A in applications where UL Approved Category 5 cable (GA27-3773-1) is used, Shielded types offer 20dB shielding from 30MHz to 300MHz

Ordering Information:



Available LED Colors:

- G/G - G/Y - Y/Y
- G/R - Y/G

For Other LED Color Options Please contact Kycon

Materials and Finish

Housing Material: High Temperature Thermoplastic, UL 94V-0 Rated, Color: Black
 Shield: Copper Alloy, Nickel Plated
 Contact Material: Phosphor Bronze
 Plating Options:
 Standard: Nickel Underplating, Gold Flash Plating on Contact Area, Gold Flash on Solder Area
 15 Option: Nickel Underplating, Contact Area Plated with 15u" Gold, Gold Flash on Solder Area
 50 Option: Nickel Underplating, Contact Area Plated with 50u" Gold to Comply with ANSI/TIA-1096-A, Gold Flash on Solder Area

Electrical Characteristics

Rated Current: 1.5A
 Rated Voltage: 125V DC
 Insulation Resistance: 500 Megohms Min.
 Contact Resistance: 20 milliohms Max.
 Dielectric Withstanding Voltage: 1000V AC for 1 Minute

Mechanical Characteristics

Durability Rating: 500 Mating Cycles Min.
 Operating Temperature: -40°C to +85°C

LED Characteristics

Forward DC Current: 20mA
 Forward Voltage: 1.8V Typical
 Reverse Voltage: 5V Min.



Tolerances
X.X ± 0.25
X.XX ± 0.15
Unless Stated Otherwise

REV.	DATE	DESCRIPTION	REV. BY	CHK. BY	DRAWN BY	DATE
A9	10/05/12	ECO #12-050	S. Vien	P. DalCanto	R. Aguirre	09/19/05
A10	10/08/13	ECO #13-059	D. Gih	P. DalCanto		
A11	12/12/13	ECO #13-091	D. Gih	H. MA		
A12	02/19/14	ECO #14-009	D. Gih	H. MA		
A13	05/27/14	ECO #14-024	D. Gih	H. MA		
A14	04/16/15	Update Drawing View	C. Kelleher	H. MA		

GWLX-S-88-x/x

x = LED color

Right Angle, PCB Mount, Modular Jack

8P8C, w/LED(s), RoHS Compliant

