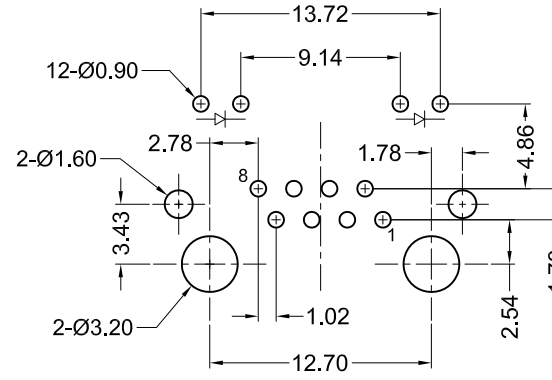
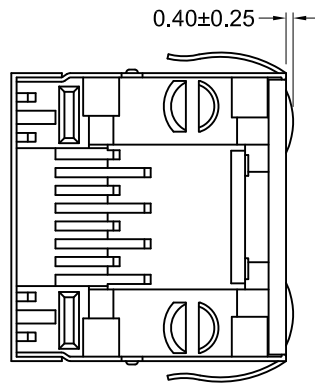


Panel Cutout



Recommended PCB Layout (Top View)

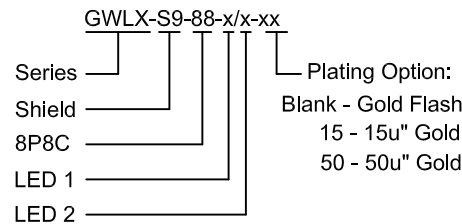
NOTE:

Kycon connectors containing LEDs must NOT be processed using Lead-Free Infra-Red reflow soldering using JEDEC-020C (or similar) profiles. Kycon suggests to process these components using Lead-Free WAVE soldering or Post Lead-Free IR reflow insertion methods only.

Electrical Performance

Category 5 100MHz Bandwidth Performance
 Performance meets near end crosstalk (NEXT)
 Requirements of -40dB @ 100MHz per
 EIA/TIA 568A in applications where UL
 Approved Category 5 cable (GA27-3773-1) is used,
 Shielded types offer 20dB shielding from 30MHz to 300MHz

Ordering Information:



Available LED Colors:

- G/G - G/Y - Y/Y
- G/R - Y/G

For Other LED Color Options
 Please contact Kycon

Materials and Finish

Housing Material: High Temperature Thermoplastic, UL 94V-0 Rated, Color: Black

Shield: Copper Alloy, Nickel Plated

Contact Material:
 Phosphor Bronze

Plating Options:

Standard: Nickel Underplating,
 Gold Flash Plating on Contact Area,
 Gold Flash on Solder Area

15 Option: Nickel Underplating,
 Contact Area Plated with 15u" Gold
 Gold Flash on Solder Area

50 Option: Nickel Underplating,
 Contact Area Plated with 50u" Gold
 to Comply with ANSI/TIA-1096-A,
 Gold Flash on Solder Area

Electrical Characteristics

- Rated Current: 1.5A
- Rated Voltage: 125V DC
- Insulation Resistance:
 500 Megohms Min.
- Contact Resistance:
 20 milliohms Max.
- Dielectric Withstanding Voltage:
 1000V AC for 1 Minute

Mechanical Characteristics

- Durability Rating:
 500 Mating Cycles Min.
- Operating Temperature:
 -40°C to +85°C

LED Characteristics

- Forward DC Current: 20mA
- Forward Voltage: 1.8V Typical
- Reverse Voltage: 5V Min.



Tolerances
X.X ± 0.25
X.XX ± 0.15
Unless Stated
Otherwise

REV.	DATE	DESCRIPTION	REV. BY	CHK. BY	DRAWN BY	DATE
A8	10/05/12	ECO #12-050	S. Vien	P. DalCanto	R. Aguirre	09/19/05
A9	10/08/13	ECO #13-059	D. Gih	P. DalCanto		
A10	12/12/13	ECO #13-091	D. Gih	H. MA		
A11	02/19/14	ECO #14-009	D. Gih	H. MA		UNITS
A12	05/24/14	ECO #14-024	D. Gih	H. MA		
A13	04/16/15	Update Drawing View	C. Kelleher	H. MA		

GWLX-S9-88-x/x

Right Angle Modular Jack, RoHS Compliant
 Shielded, Grounding Tabs, With LED(s)

