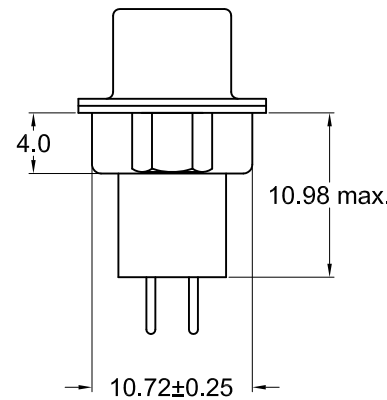
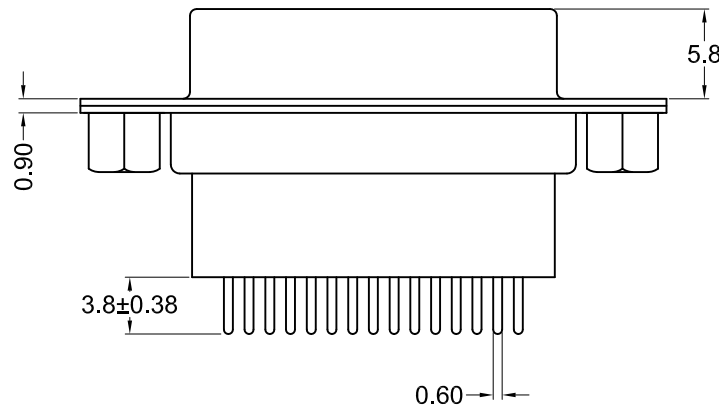


Recommended PCB Layout



Material And Finish

- Shell: Steel, Nickel plated
- Insulator: PBT with glass-fiber reinforcement, UL 94V-0 rated, color-black
- Contact Material:
Socket - Phosphor Bronze
- Contact Plating Options:
Standard:
Gold flash on mating end, tin on termination end with nickel underplate
- 15 Option:
15u" Gold on mating end tin on termination end with nickel underplate
- 30 Option:
30u" Gold on mating end tin on termination end with nickel underplate

Electrical Specifications

- Rated Current: 2A
- Rated Voltage: 30V RMS
- Dielectric Withstanding Voltage: 500 V (RMS) AC for 1 minute
- Insulation Resistance: more than 1000 Megohm at 500 V DC
- Contact Resistance: 13 milliohm max.
- Temperature Rating: -55°C to +105°C

Part Number	Contact Area Plating Finish
K88X-AD-15S-K	Gold Flash (standard option)
K88X-AD-15S-K15	15u" Gold (15 option)
K88X-AD-15S-K30	30u" Gold (30 option)



Tolerances
X.X ± 0.25
X.XX ± 0.15
Unless Stated Otherwise

REV.	DATE	DESCRIPTION	REV. BY	CHK. BY	DRAWN BY	DATE
A1	05/09/08	New Drawing	S. Vien	H. MA	S. Vien	05/09/08
A2	12/08/10	ECO# 10-091	S. Vien	H. MA		
A3	12/31/17	ECO #17-035	G. Serrato	C. Furumasu		
					UNITS	
					mm	

K88X-AD-15S-K

Vertical PCB Mount D-Sub Connector
With K-Option, RoHS Compliant

