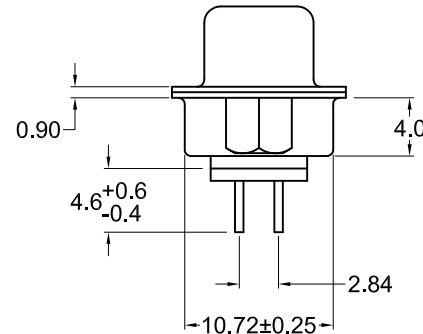
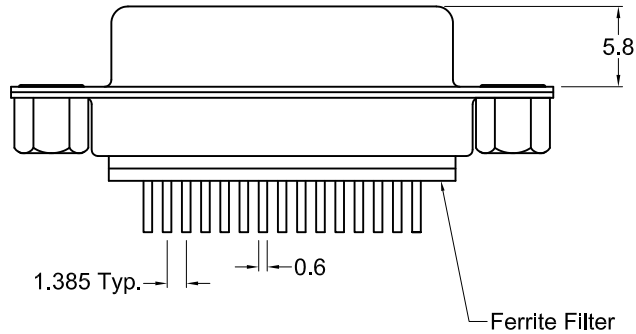


Recommended PCB Layout



**Material and Finish**

Shell: steel, Nickel Plated  
 Insulator: PBT with glass-fiber reinforcement, UL 94V-0 rated, color-black

Contact Material:  
 Socket: Phosphor Bronze

Contact Plating:

Standard:  
 Gold flash on mating end, tin on termination end, with entire contact nickel underplated

-15 Option:  
 15u" gold on mating end, tin on termination end, with entire contact nickel underplated

-30 Option:  
 30u" gold on mating end, tin on termination end, with entire contact nickel underplated

**Electrical Specifications**

Rated Current: 2A  
 Rated Voltage: 30V RMS  
 Withstanding Voltage:  
 500V (rms) AC for 1 minute  
 Insulation Resistance:  
 more than 1000 Megohm at 500V DC  
 Contact Resistance:  
 13 milliohm max.  
 Dielectric Strength:  
 1000V for 1 minute  
 Operating Temperature:  
 -55°C to +105°C

**Ferrite Specifications**

Test Frequency	Edge Hole	Inner Hole
30 Mhz	10-14 Ohms	13-17 Ohms
50 Mhz	12-18 Ohms	15-19 Ohms
100 Mhz	15-20 Ohms	19-24 Ohms

Part Number	Contact Area Plating Finish
KF85X-AD-15S-K	Gold Flash (standard)
KF85X-AD-15S-K15	15u" Gold (15 option)
KF85X-AD-15S-K30	30u" Gold (30 option)



Tolerances
X.X ± 0.25
X.XX ± 0.15
Unless Stated
Otherwise

REV.	DATE	DESCRIPTION	REV. BY	CHK. BY	DRAWN BY	DATE
A1	11/29/06	New Drawing	R. Aguirre	H. MA	R. Aguirre	11/27/06
A2	1/14/08	ECO #07-052	WILL H.	H. MA		
A3	12/31/17	ECO #17-030	H. MA	C. Furumasu		

**KF85X-AD-15S-K**

Vertical PCB Mount D-Sub ,RoHS Compliant  
 15 Pin Female, with Threaded Bushings

