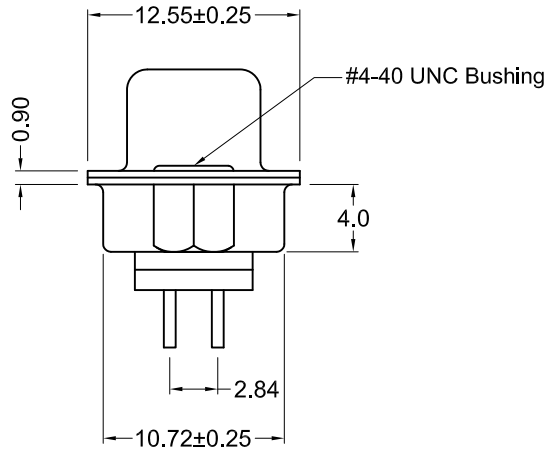
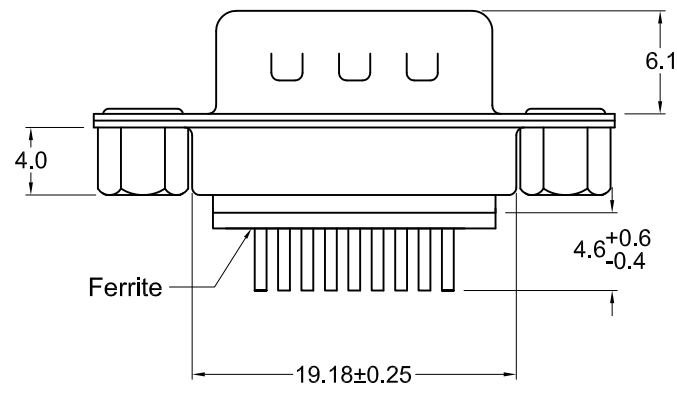


Recommended PCB Layout (Top View)



**Material and Finish**

Shell: steel, Nickel Plated

Insulator: PBT with glass-fiber reinforcement, UL 94V-0 rated, color-black

Contact Material: Plug: Brass

Contact Plating:

Standard:

Gold flash on mating end, tin on termination end, with entire contact nickel underplated

15 Option:

15u" gold on mating end, tin on termination end, with entire contact nickel underplated

30 Option:

30u" gold on mating end, tin on termination end, with entire contact nickel underplated

**Electrical Specifications**

Rated Current: 2A

Rated Voltage: 30V RMS

Withstanding Voltage: 500V (rms) AC for 1 minute

Insulation Resistance: more than 1000 Megohm at 500V DC

Contact Resistance: 13 milliohm max.

Dielectric Strength: 1000V for 1 minute

Operating Temperature: -55°C to +105°C

Ferrite Specifications		
Test Frequency	Edge Hole	Inner Hole
30 Mhz	10-14 Ohms	13-17 Ohms
50 Mhz	12-18 Ohms	15-19 Ohms
100 Mhz	15-20 Ohms	19-24 Ohms

Ordering Information	
Part Number	Contact Area Plating Finish
KF85X-ED-9P-K	Gold Flash (standard)
KF85X-ED-9P-K15	15u" Gold (15 option)
KF85X-ED-9P-K30	30u" Gold (30 option)



Tolerances
X.X ± 0.25
X.XX ± 0.15
Unless Stated Otherwise

REV.	DATE	DESCRIPTION	REV. BY	CHK. BY	DRAWN BY	DATE
A1	05/27/08	New Drawing	S. Vien	H. MA		
A2	12/31/17	ECO#17-030	H. MA	C. Furumasu	S. Vien	05/27/08

**KF85X-ED-9P-K**

Vertical PCB Mount D-Sub, 9 Pin Male

With K-Option, RoHS Compliant

