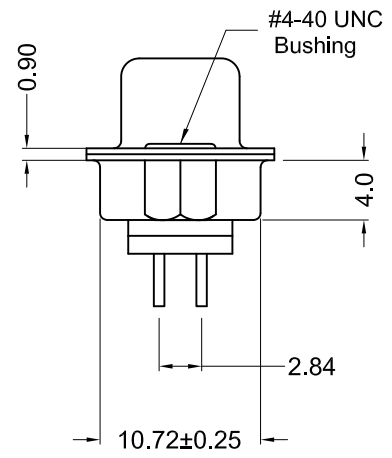
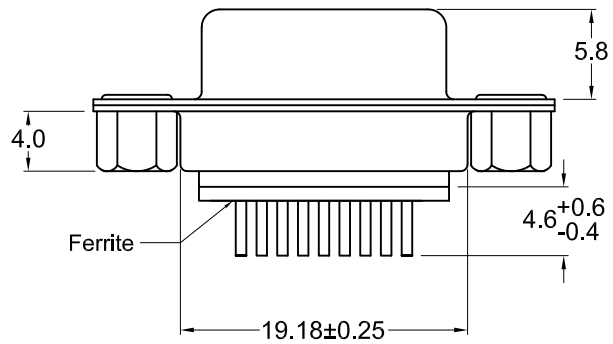


Recommended PCB Layout  
(top view)



**Material and Finish**

- Shell: steel, Nickel Plated
- Insulator: PBT with glass-fiber reinforcement, UL 94V-0 rated, color-black
- Contact Material:  
Socket: Phosphor Bronze
- Contact Plating:
- Standard:  
Gold flash on mating end, tin on termination end, with entire contact nickel underplated
- 15 Option:  
15u" gold on mating end, tin on termination end, with entire contact nickel underplated
- 30 Option:  
30u" gold on mating end, tin on termination end, with entire contact nickel underplated

**Electrical Specifications**

- Rated Current: 2A
- Rated Voltage: 30V RMS
- Withstanding Voltage:  
500V (rms) AC for 1 minute
- Insulation Resistance:  
more than 1000 Megohm at 500V DC
- Contact Resistance:  
13 milliohm max.
- Dielectric Strength:  
1000V for 1 minute
- Operating Temperature:  
-55°C to +105°C

Ferrite Specifications		
Test Frequency	Edge Hole	Inner Hole
30 Mhz	10-14 Ohms	13-17 Ohms
50 Mhz	12-18 Ohms	15-19 Ohms
100 Mhz	15-20 Ohms	19-24 Ohms

Ordering Information	
Part Number	Contact Area Plating Finish
KF85X-ED-9S-K	Gold Flash (standard)
KF85X-ED-9S-K15	15u" Gold (15 option)
KF85X-ED-9S-K30	30u" Gold (30 option)



Tolerances
X.X ± 0.25
X.XX ± 0.15
Unless Stated Otherwise

REV.	DATE	DESCRIPTION	REV. BY	CHK. BY	DRAWN BY	DATE
A1	11/14/05	New Drawing	R. Aguirre	H. MA	R. Aguirre	11/14/05
A2	1/14/08	ECO #07-052	WILL H.	H. MA		
A3	12/31/17	ECO #17-030	H. MA	C. Furumasu		

**KF85X-ED-9S-K**

Vertical PCB Mount D-Sub  
9 Pin Female, RoHS Compliant

