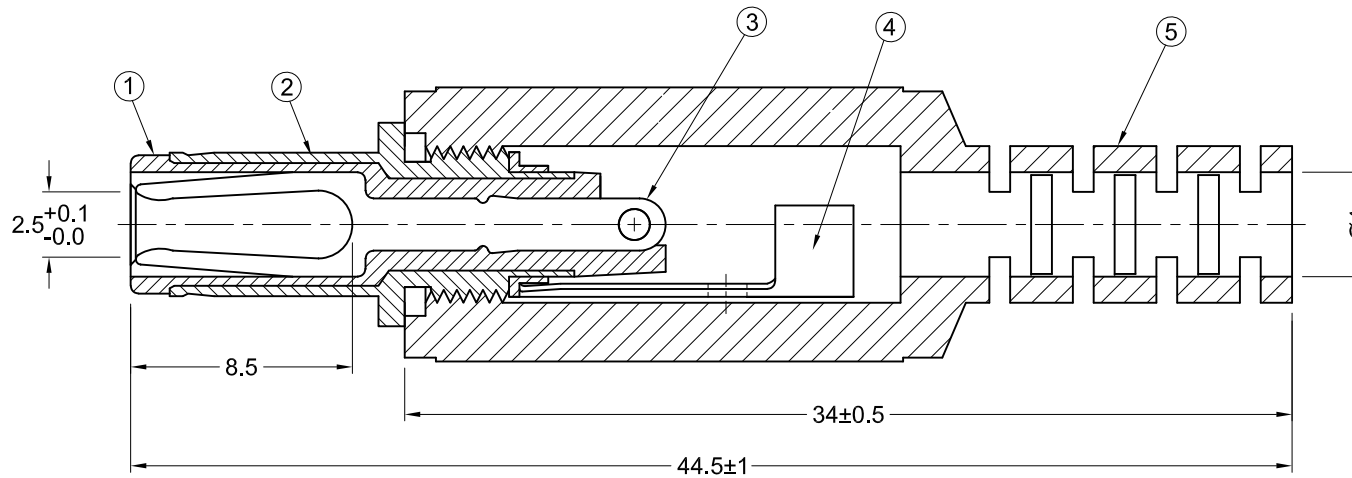
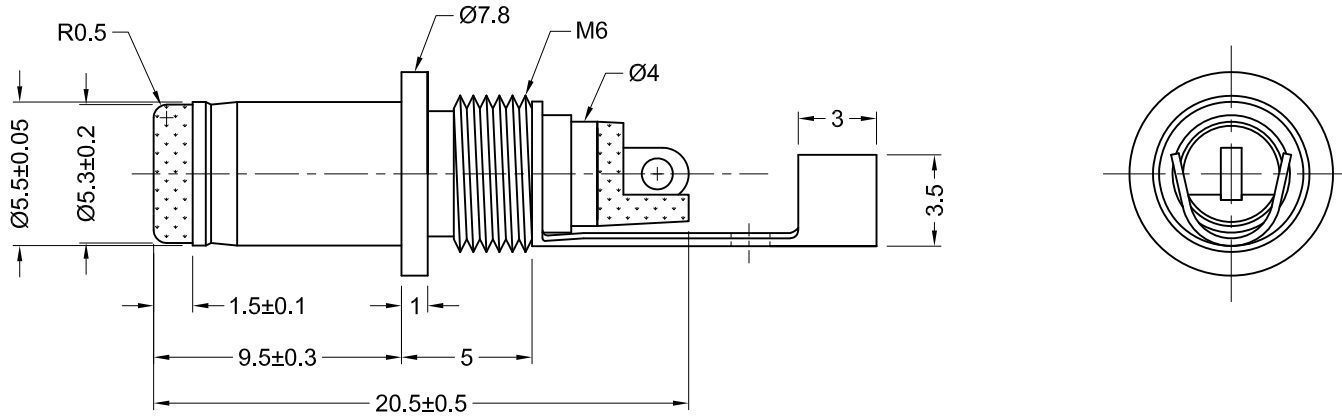


Electrical Characteristics:
 Rated Current: 5A
 Rated Voltage: 24V DC



Item	Material	Finish
①	PBT	BLACK
②	BRASS	NICKEL PLATED
③	P-BRONZE	NICKEL PLATED
④	BRASS	NICKEL PLATED
⑤	TPR	BLACK

Tolerances
X.X ± 0.35
X.XX ± 0.25
Unless Stated
Otherwise

RoHS COMPLIANT

REV.	DATE	DESCRIPTION	REV. BY	CHK. BY	DRAWN BY	DATE
A0	07/25/12	New Drawing	S. Vien	P. DalCanto	S. Vien	07/18/12
A1	08/02/12	Release Drawing	P. DalCanto	N/A		
A2	01/16/13	ECO #12-063	S. Vien	P. DalCanto		UNITS
A3	06/13/18	ECO #18-029	G. Serrato	D. Shehan		
A4	02/19/19	ECO #19-016	G. Serrato	D. Shehan		
A5	11/21/19	ECO #19-070	C. Kelleher	D. Shehan		

KLDX-PA-0202-B

DC Power Plug, With Over Mold
 2.5mm Diameter, RoHS Compliant

